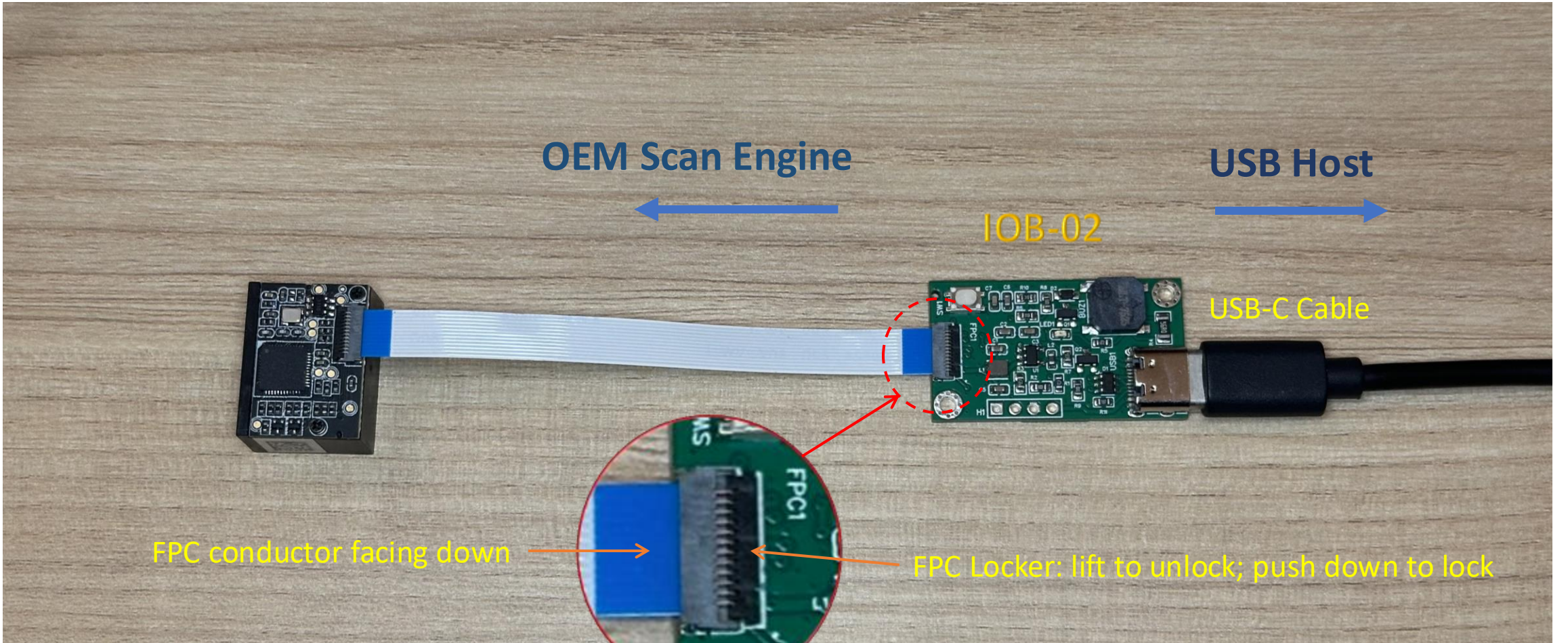


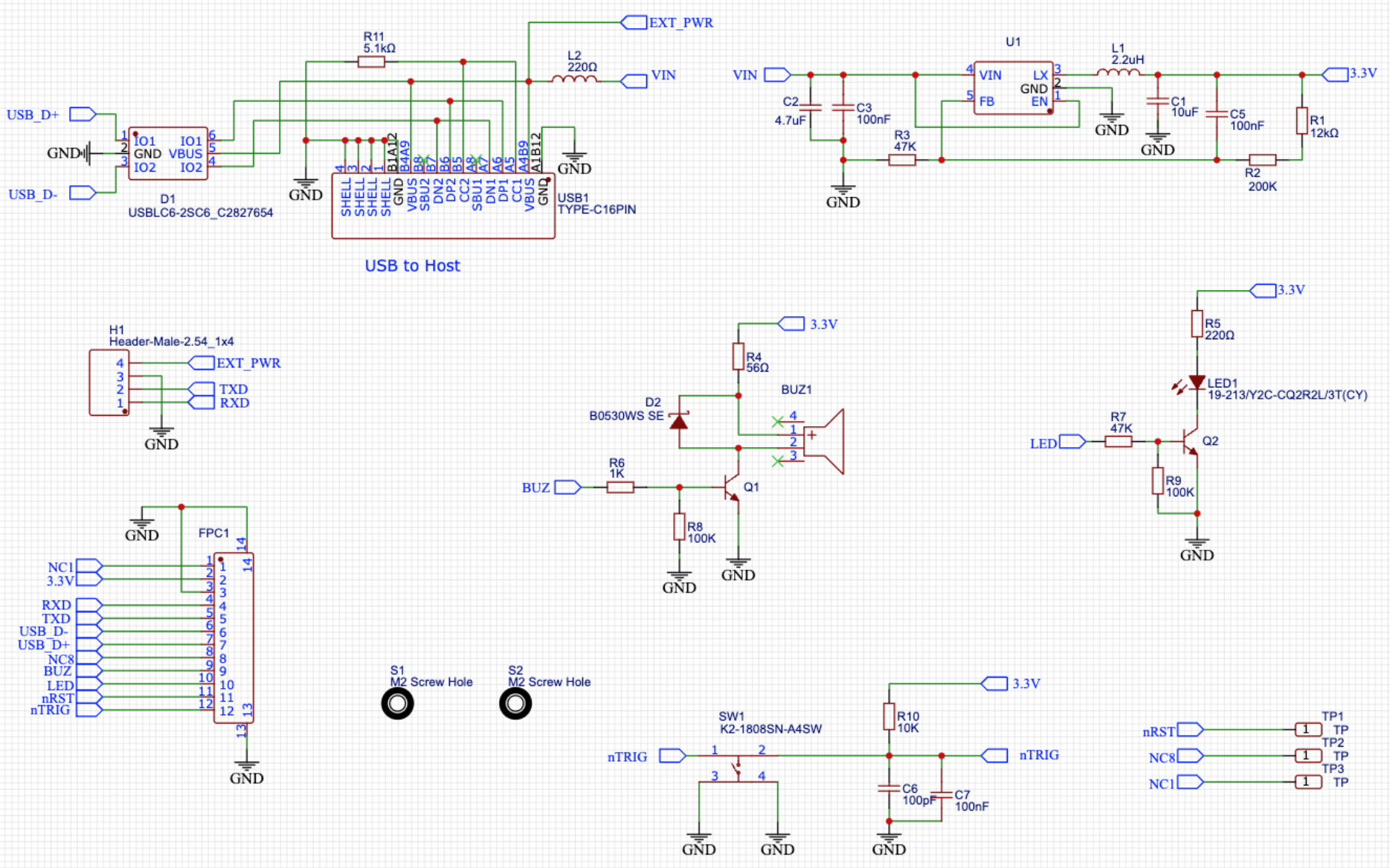
IOB-02 v2.2 r0

User's Manual





Connection Setup



USB to Host

Compatibility

IOB-02 is compatible with all Newland OEM scan engines with 12-PIN FFC connector, including:

EM209X, EM30XX, EM32XX, EM33XX, EM20-XX, EM50X, and N1.

